

322 D 7948

THIRD ANGLE PROJECTION

DIMENSIONS IN INCHES UNLESS OTHERWISE STATED

DO NOT SCALE DRAWING

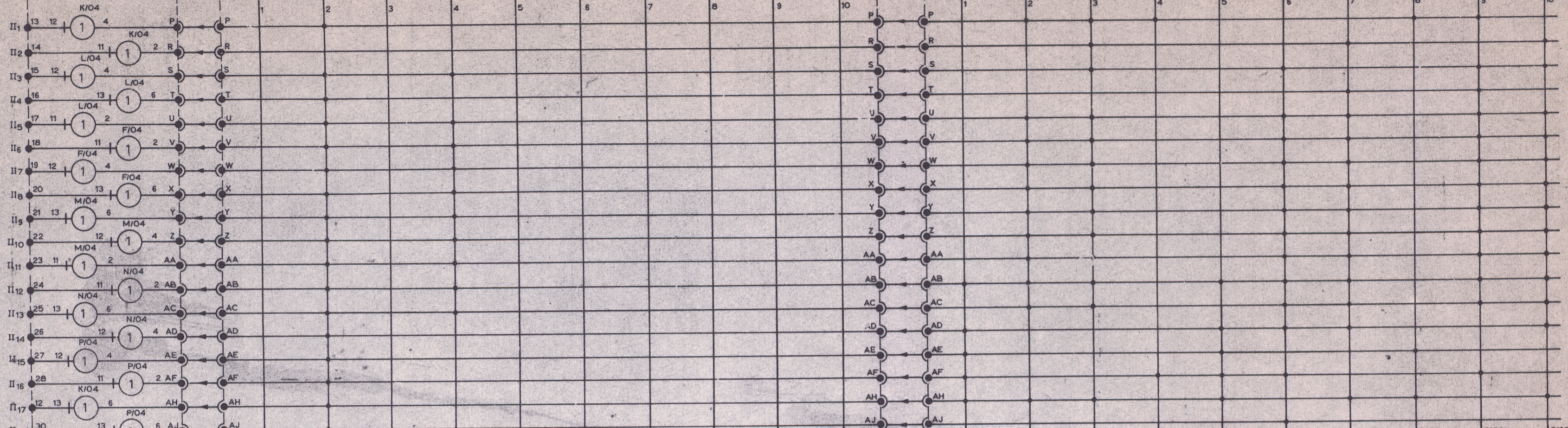
A-GL 35

A-FB 34

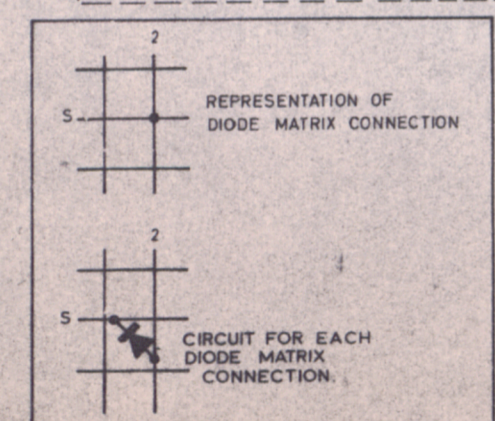
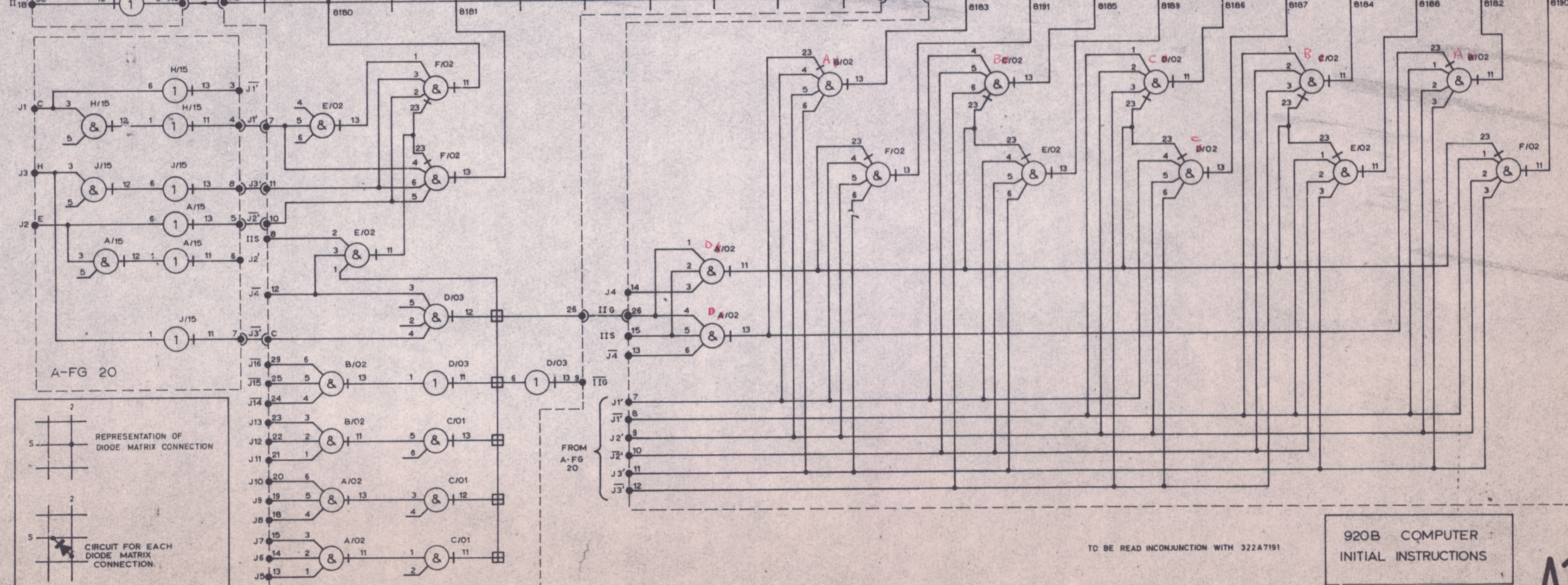
A-GK 36

-3
0 8180

15 2048 6 8177 8 8183 4 0001 15 2048 5 8180 9 8186 10 0001 4 8189 9 8182



USED ON A7201



TO BE READ INCONJUNCTION WITH 322A7191

920B COMPUTER INITIAL INSTRUCTIONS

A17

LATEST MI INCORPORATED. MI. ~~2998~~

ISSUE No.	1	MATERIAL	FINISH	ELLIOTT BROTHERS (LONDON) LTD
ALT ⁿ No.	1681	TOLERANCES DECIMAL FRACTIONAL ANGULAR DIMENSIONS UNLESS OTHERWISE STATED		TITLE
DATE	2/10/56	SCALE		920B COMPUTER INITIAL INSTRUCTIONS
INITIALS	LJE	DRAWING No.		322 D 7948
PARTS LIST No.		DRAWN		
		CHECKED		
		APPROVED		
		DATE		